

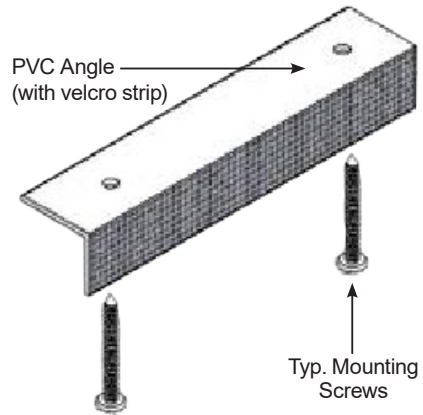
# Fabric Valance

## PVC Angle

### Installation Instructions

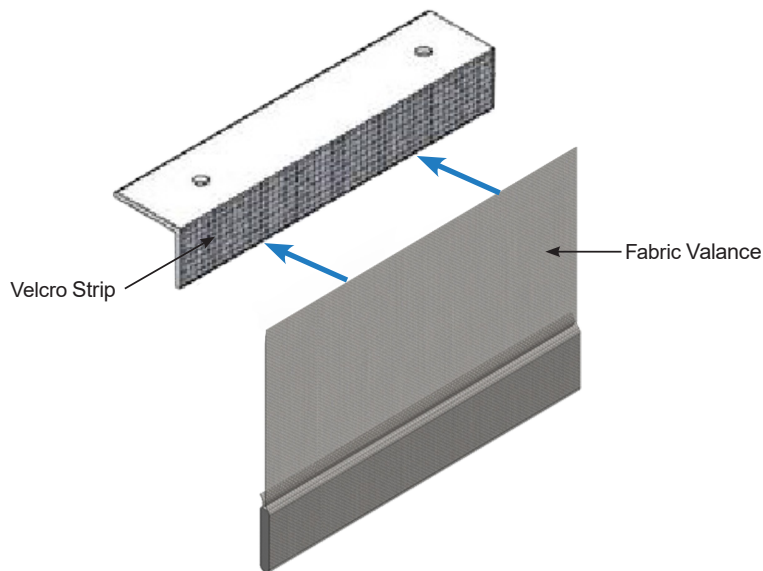
#### 1 INSTALL THE PVC ANGLE

Fasten the PVC angle to the ceiling in the appropriate position with the mounting screws. Make sure the Velcro strip side faces the room interior. Leave enough space for the shade to operate without interfering with the valance.



#### 2 ATTACHING THE FABRIC VALANCE

Align the velcro strip on the fabric valance with the velcro strip on the front of the plastic mounting angle. Start at one end and press the velcro together. Continue this process for the entire length of the valance to ensure a secure hold.

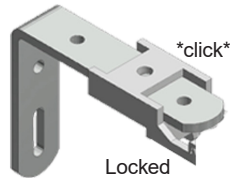


# Fabric Valance

## Wall Mount with Snap on Clips Installation Instructions

### 1 PREPARE THE MOUNTING BRACKETS

Attach plastic valance clips to all mounting brackets.



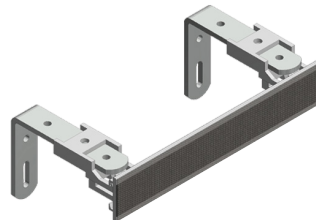
### 2 INSTALL THE MOUNTING BRACKETS

Mount each bracket to the wall using mounting screws.

### 3 INSTALL THE VELCRO MOUNTING STRIP

**NOTE: IF RETURNS ARE REQUIRED, BEND THE ALUMINUM MOUNTING STRIP INTO SHAPE BEFORE SNAPPING ONTO VALANCE CLIPS. (Fig 1)**

Beginning at one end, snap the velcro mounting strip into the valance clips.



### 4 ATTACHING THE VALANCE

Align the velcro strip on the fabric valance with the the velcro mounting strip. Start at one end and press the velcro together. Continue this process for the entire length of the valance to ensure a secure hold.

